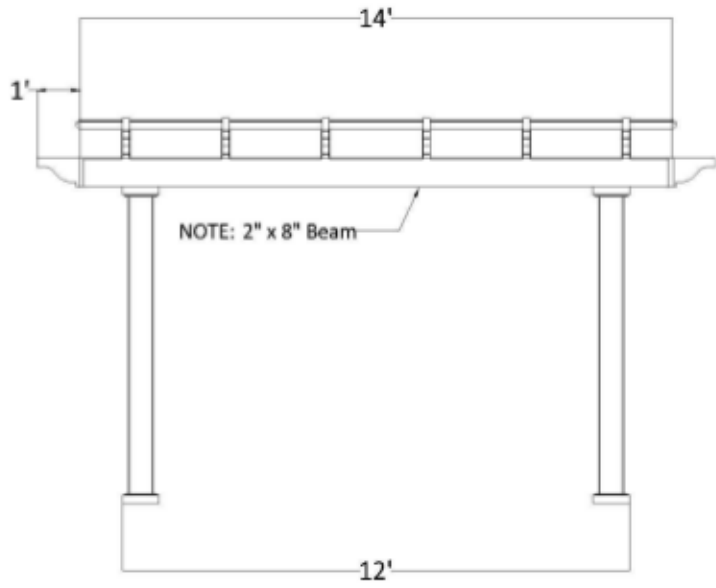


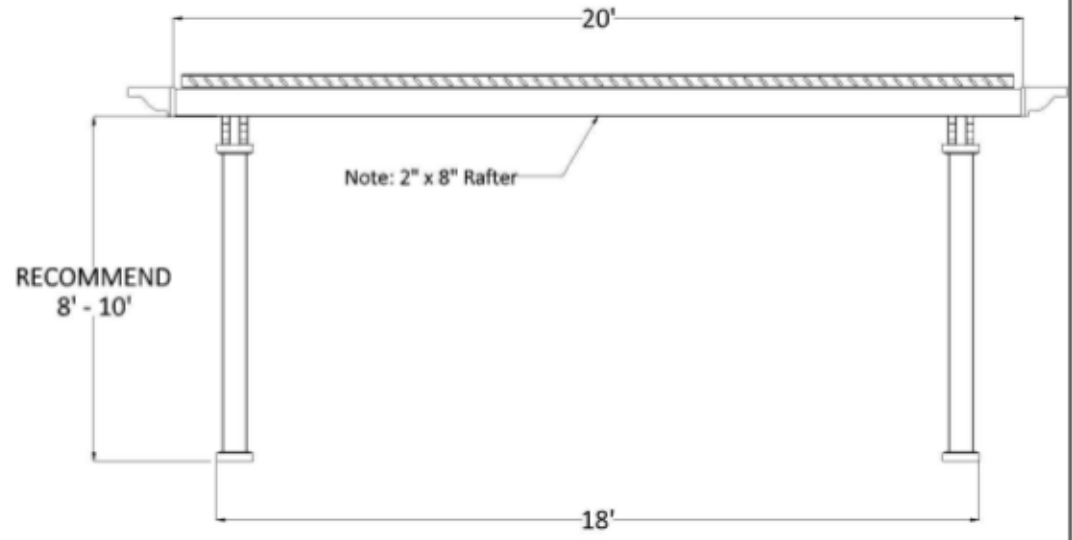
FRONT ELEVATION



Post On Center Measurement

5" Square Post	139"
7" Square Column	133 1/2"
7" Round Column	133 1/2"
10" Round Column	131 3/4"

SIDE ELEVATION



Post On Center Measurement

5" Square Post	211"
7" Square Column	205 1/2"
7" Round Column	205 1/2"
10" Round Column	203 3/4"

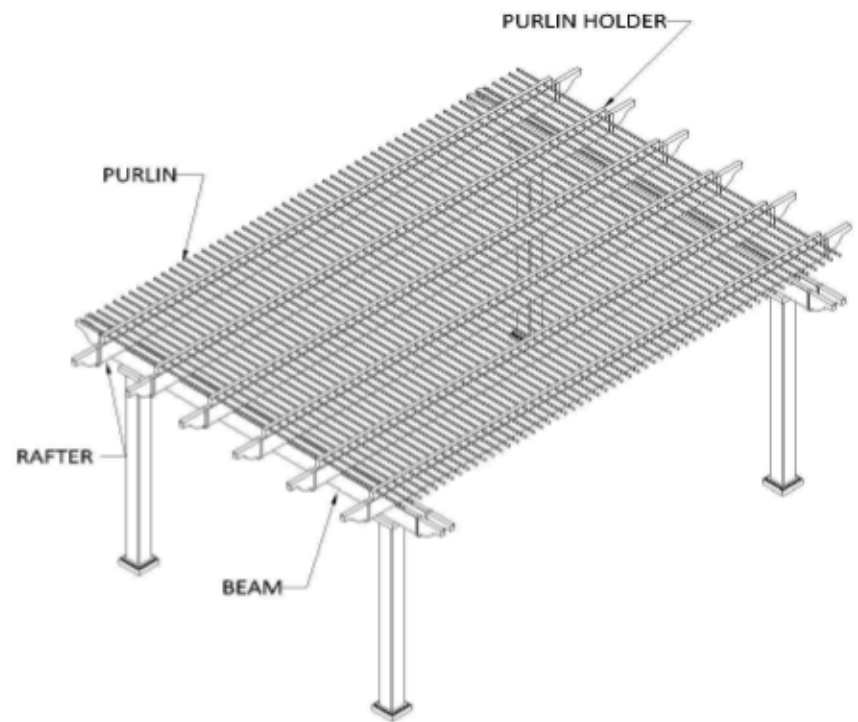
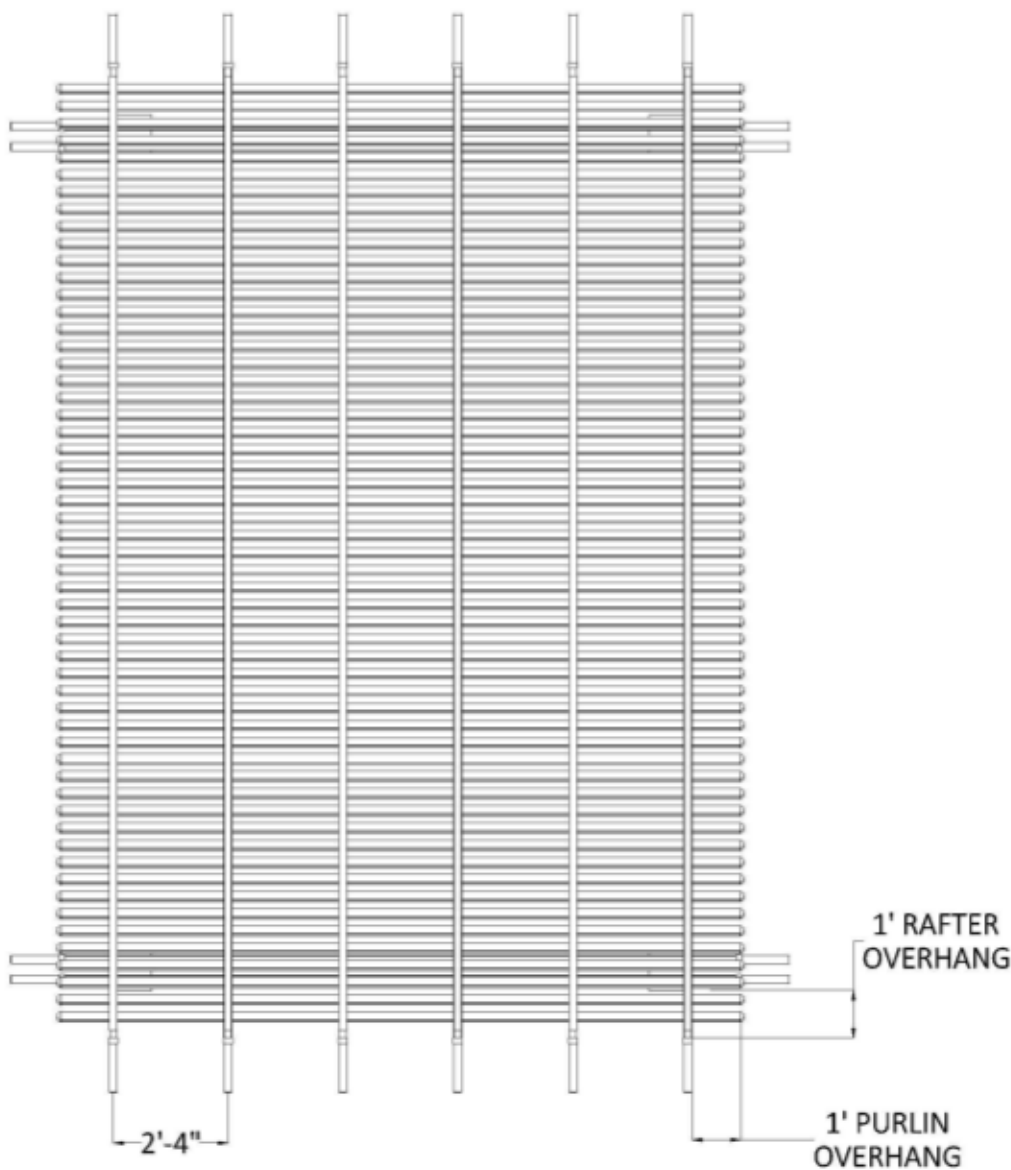
20' x 14' FREESTANDING PERGOLA

zenpergolas.com

800-430-1690



PLAN VIEW



STRUCTURAL COMPONENTS

DESCRIPTION	QTY.
7" COLUMN ASSEMBLY W POST MOUNT	4
2 X 8 BEAM WITH ALUMINUM INSERT	4
2 X 8 RAFTER WITH ALUMINUM INSERT	6
2 X 8 PERGOLA CAP	20
2 X 3 1/2 PURLIN HOLDER	6
2 X 3 1/2 FLAT CAP	12
3/4 X 3 PURLIN (STD SPACING)	55
3/4 X 3 PURLIN CAP	110

20' x 14' FREESTANDING PERGOLA

zenpergolas.com

800-430-1690

